



▶ **AD10**
The space and the
comfort you are
looking for

AD10

The space and the comfort you are looking for



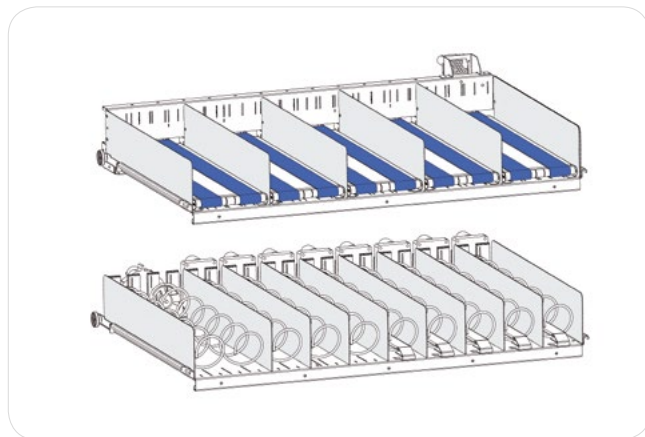
The AD10 is the +3°C refrigerated vending machine with delivery area in raised position. The large windows and the high capacity offer space and visibility to any type of fresh product.

- ▶ GASTRONOMY
- ▶ PASTA FACTORIES
- ▶ PASTRY SHOPS
- ▶ BAKERIES
- ▶ BUTCHERS
- ▶ FARMS KM 0



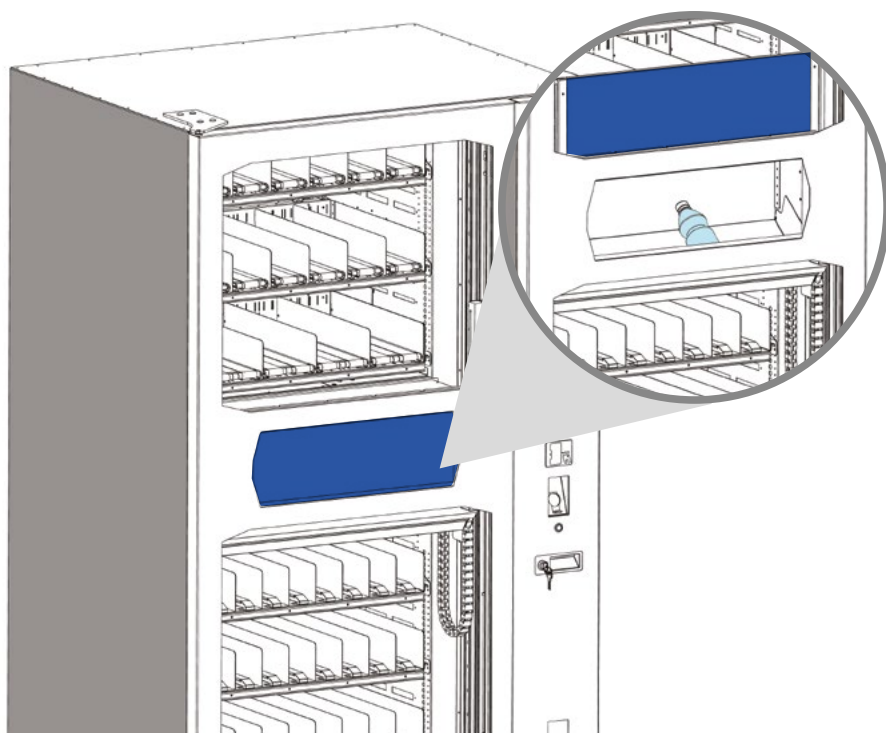
Maximum versatility with hybrid configuration

AD10 can deliver different products in terms of fragility, volume and weight. Thanks to the hybrid configuration of conveyor belts and spirals, it is possible to insert the most various products sizes, up to a maximum of 60 different products.



Automatic door in a raised position and integrated lift

Products slide gently on the latest generation lift to avoid any kind of impact and damage. The withdrawal compartment in raised position allows you to take the product comfortably without bending.





Touch screen with display 10 or 21.5 inches

The touch screen offers more interactivity by user and easy and intuitive product selection.



Check in real time and from remote with AD - Cloud

Simple and innovative, the AD Cloud system optimizes all control, support and update operations on machines. All networked devices can be monitored from anywhere and from any device.

- ▶ Real-time stock control and under-stock management.
- ▶ Monitoring of transactions.
- ▶ Export of all system data (daily, weekly and monthly reports).
- ▶ Configure and customize your dashboard.
- ▶ Sharing data with your employees.
- ▶ Multi-user management.

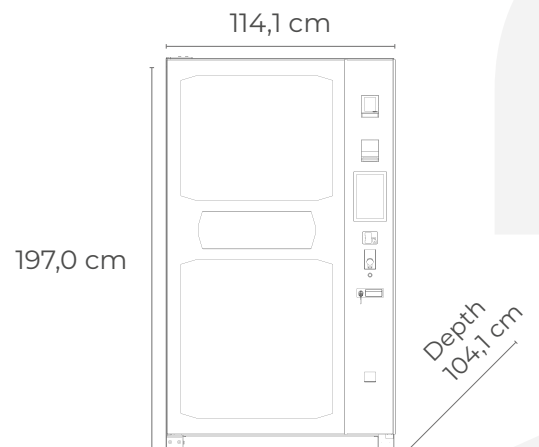


Temperature controlled and adjustable

The refrigeration system can be configured to manage up to 2 different temperature zones to allow the proper storage of different product categories.

CHARACTERISTICS

Height of delivery area	100 cm
Maximum number of shelves	8
Lanes per shelf	10
Power supply	230 V / 50 Hz
Weight	500 kg





Adimac – Nuova Inox Srl brand

Via dei Pini, 50 - 36016 Thiene (VI) - Italy

T. +39 0445 361034

info@adimac.it

www.adimac.it



Adimac Vending Machines



Adimac Vending Machines